

MODEL No:SEL-TR0460AZR



Record of Revision

Date	Revision No.	Summary
2014-08-29	1.0	Rev 1.0 was issued

1. Scope

This data sheet is to introduce the specification of SEL-TR0460AZG active matrix TFT module. It is composed of a color TFT-LCD panel, driver ICs and FPC. The 4.6" display area contains 800(RGB) x 320 pixels.

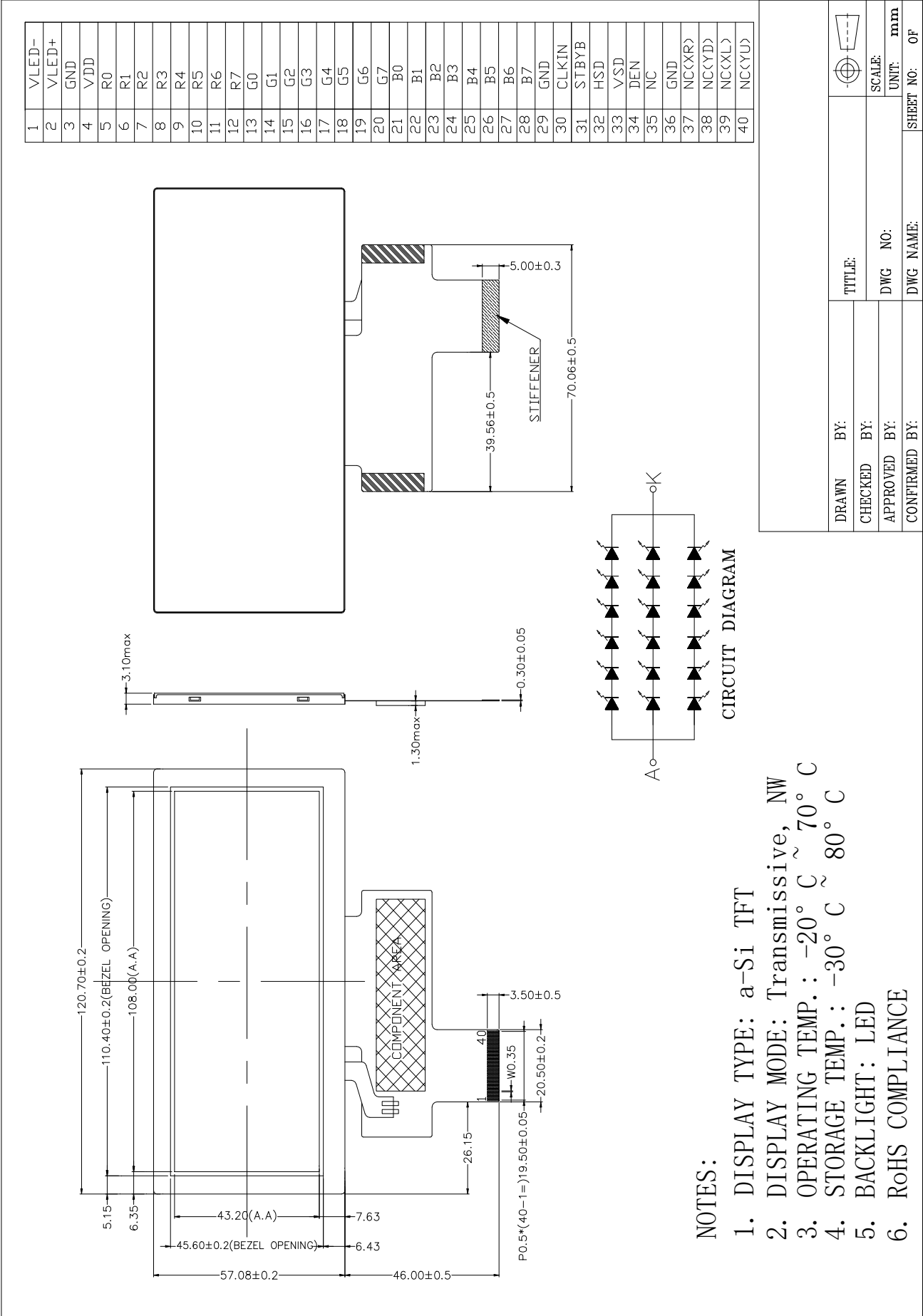
2. Application

Digital equipments which need color display, mobile phone, mobile navigator/video systems.

3. General Information

Item	Contents	Unit
Size	4.6	inch
Resolution	800(RGB) x 320	/
Interface	RGB	/
Technology type	MVA TFT	/
Pixel pitch	0135x0.135	mm
Pixel Configuration	R.G.B. Vertical Stripe	
Outline Dimension (W x H x D)	120.70 x 57.08 x 3.10	mm
Active Area	108.00 x 43.20	mm
Display Mode	TM with Normally White	/
Viewing Direction	Full viewing	/
Backlight Type	LED	/
Driver IC	OTA7001A_C & OTD9960A	/
Weight	42	g

4. Outline Drawing



5. Interface signals

Pin	Symbol	Description	Remark
1	VLED-	Backlight Cathode	
2	VLED+	Backlight Anode	
3	GND	Ground	
4	VDD	Power source	
5	R0	Red data signal	
6	R1	Red data signal	
7	R2	Red data signal	
8	R3	Red data signal	
9	R4	Red data signal	
10	R5	Red data signal	
11	R6	Red data signal	
12	R7	Red data signal	
13	G0	Green data signal	
14	G1	Green data signal	
15	G2	Green data signal	
16	G3	Green data signal	
17	G4	Green data signal	
18	G5	Green data signal	
19	G6	Green data signal	
20	G7	Green data signal	
21	B0	Blue data signal	
22	B1	Blue data signal	
23	B2	Blue data signal	
24	B3	Blue data signal	
25	B4	Blue data signal	
26	B5	Blue data signal	
27	B6	Blue data signal	
28	B7	Blue data signal	
29	GND	Ground	
30	CLKIN	Clock for input data. Data latched at rising edge of this signal	
31	STBYB	Display on/off	
32	HSD	Horizontal synchronizing signal	
33	VSD	Vertical synchronizing signal	
34	DEN	Input data enable control.	
35	NC	No connection	
36	GND	Ground	
37~40	NC	No connection	

6. Absolute maximum Ratings

6.1. Electrical Absolute max. ratings

GND=0V, Ta = 25°C

Parameter	Symbol	MIN	MAX	Unit	Remark
Power Voltage	VDD	-0.5	5.0	V	

6.2. Environment Conditions

Item	Symbol	MIN	MAX	Unit	Remark
Operating Temperature	TOPR	-20	70	°C	
Storage Temperature	TSTG	-30	80	°C	

Note 1:

If Ta below 50°C, the maximal humidity is 90%RH, if Ta over 50°C, absolute humidity should be less than 60%RH.

Note 2:

The response time will be extremely slow when the operating temperature is around -10°C, and the back ground will become darker at high temperature operating.

7. Electrical Specifications

7.1 Electrical characteristics

GND=0V, Ta=25°C

Item	Symbol	MIN	TYP	MAX	Unit	Remark
Power Supply Voltage	VDD	2.3	3.3	3.6	V	
Input Logic Voltage	VIL	0	--	0.3*VDD	V	
	VIH	0.7*VDD	--	VDD	V	

Item	MIN	TYP	MAX	Unit	Remark
LCD driver IC's spec range of VGH	-0.3	--	42	V	
LCD driver IC's spec range of VGL	-20	--	0.3	V	
LCD driver IC's spec range of VCOM	2.0	--	5.0	V	
FPC circuit VGH	19.72	21.72	23.72	V	
FPC circuit VGL	-8.9	-6.9	-4.9	V	
FPC circuit VCOM	3.17	3.67	4.17	V	

7.2 Backlight Characteristics

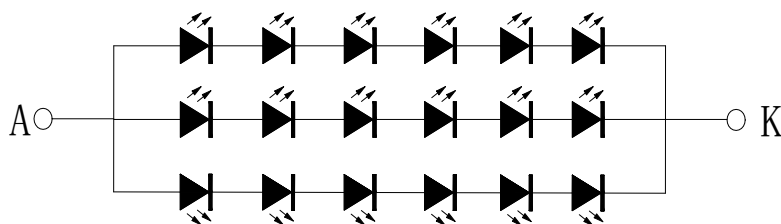
Item	Symbol	MIN	TYP	MAX	Unit	Remark
Forward Voltage	V _F	18	19.2	20.4	V	Ta=25 °C, I _F =20mA/LED
Forward Current	I _F	--	60	--	mA	Ta=25 °C, I _F =20mA/LED
Power dissipation	P _D	--	1152	--	mW	
LED Life Time(25 °C)		--	30,000	--	Hr	

Note1 : LED life time defined as follows:The final brightness is at 70% of original brightness.

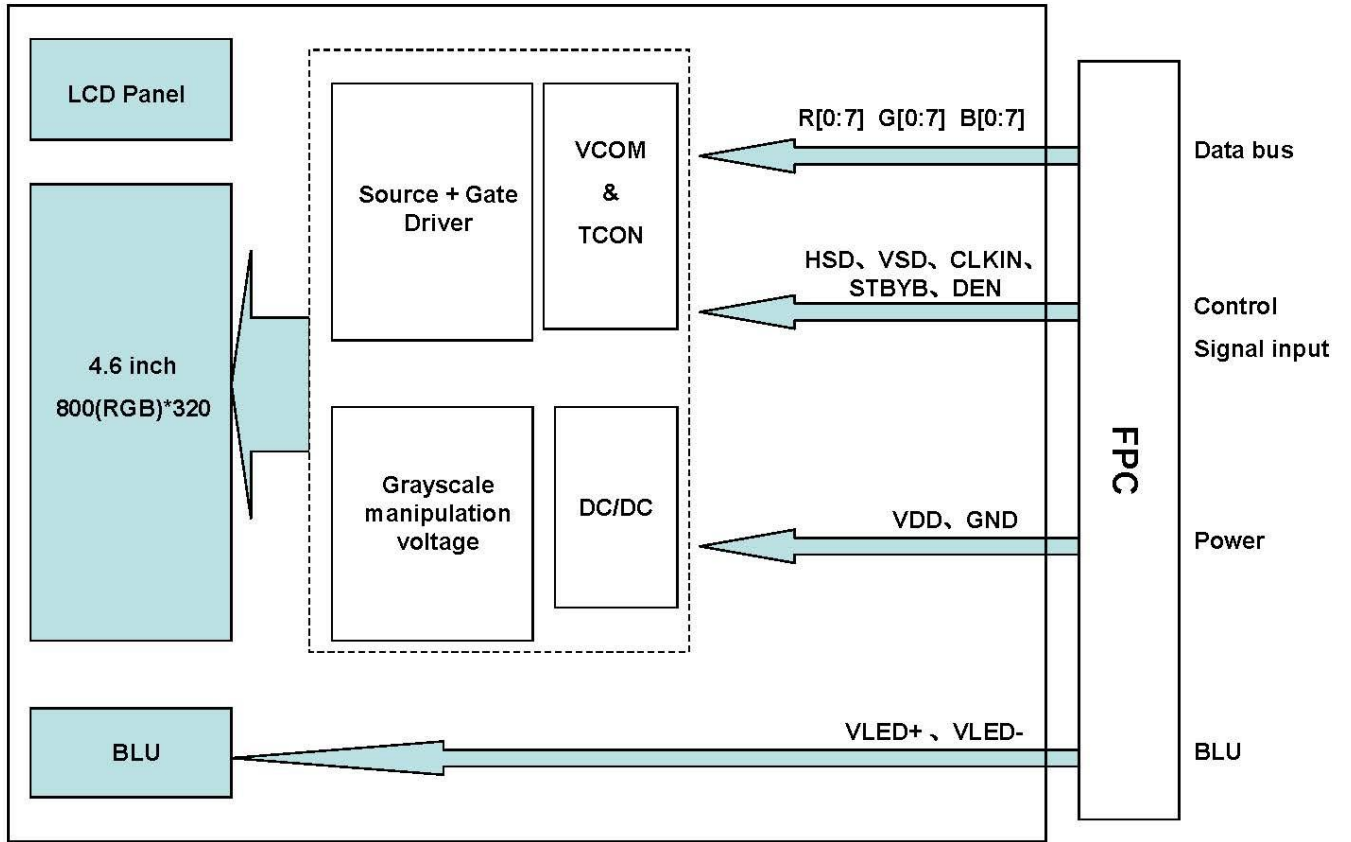
(Required constant current supply I_F =60mA and

Environmental condition: 25°C ± 3°C, 60% ± 10%RH)

Note2: Backlighting circuit



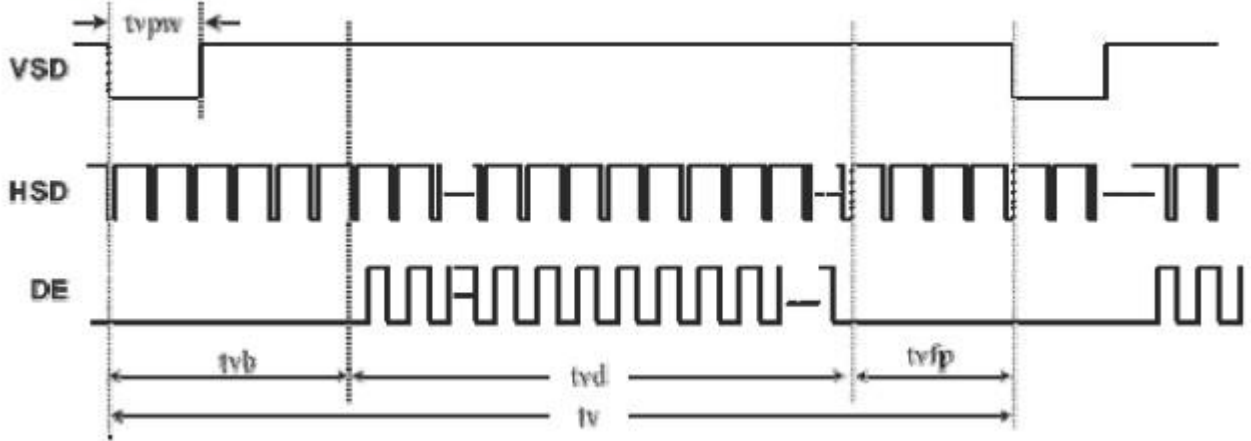
7.3 Schematic of LCD module system



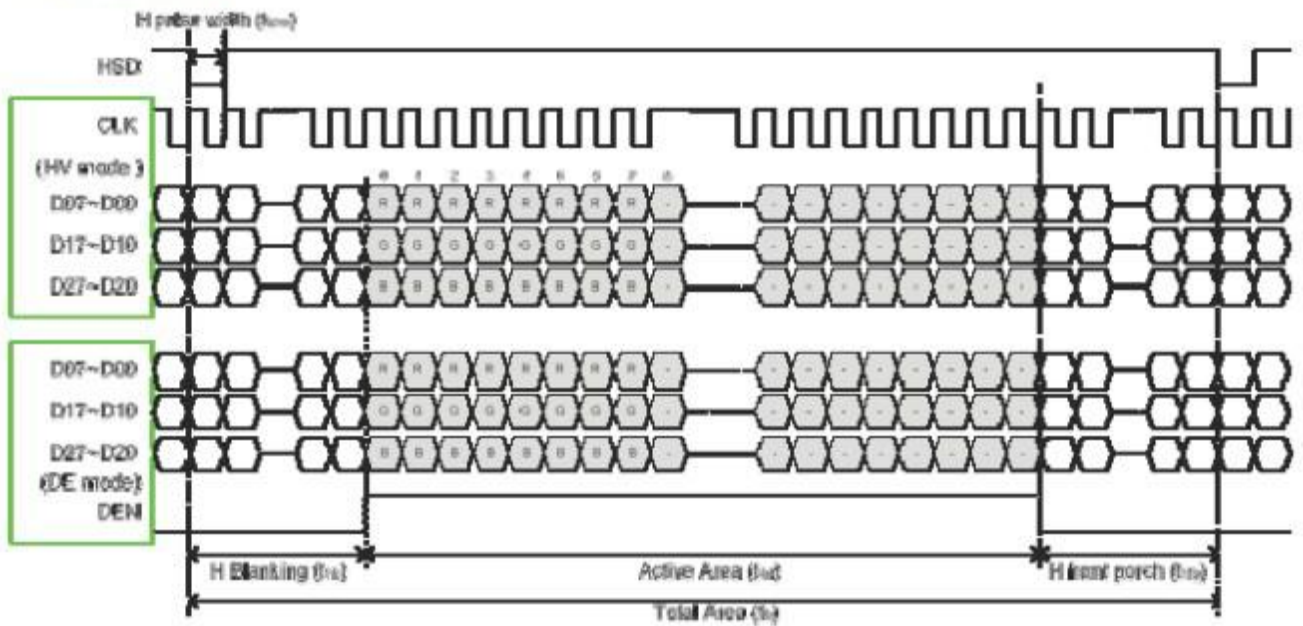
8. Command/AC Timing

8.1 Data Input Format

Vertical input timing



Horizontal input timing



8.2 Timing Parameters

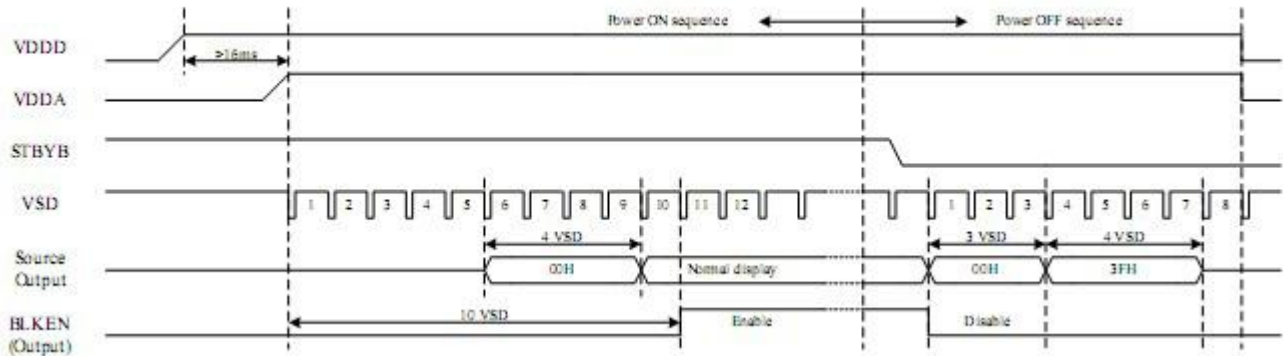
Parameter	Symbol	Spec			Unit
		Min.	Typ.	Max.	
Horizontal display area	t_{hd}	800			PCLK
PCLK frequency(60Hz)	t_{clk}	-	30	50	MHZ
One Horizontal Line	t_h	889	928	1143	PCLK
HSYNC pulse width	t_{hpw}	1	48	255	PCLK
HSYNC blanking	t_{hb}	88			PCLK
HSYNC front porch	t_{hfp}	1	40	255	PCLK
Vertical display area	t_{vd}	480			T_H
VSYNC period time	t_v	513	525	767	T_H
VSYNC pulse width	t_{vd}	3	3	255	T_H
VSYNC blanking(t_{vpw})	t_{vpw}	32			T_H
VSYNC front porch(t_{vfp})	t_{vfp}	1	13	255	T_H

Note: The 1-160 gate lines must be sent black data.

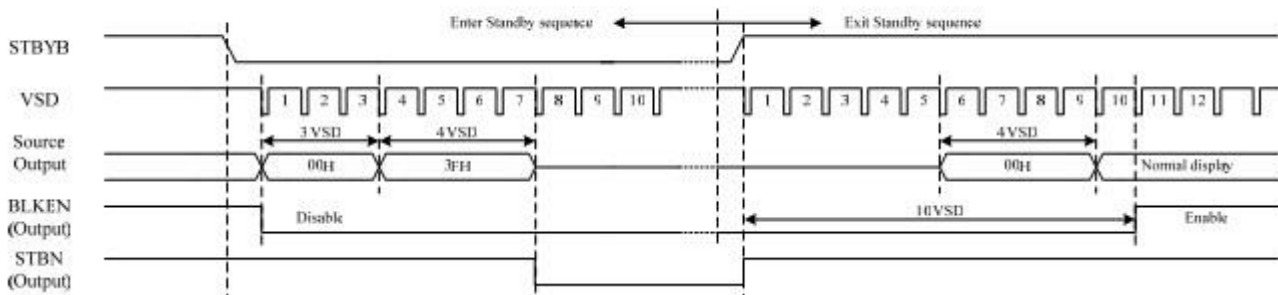
8.3 Power ON/OFF Sequence

In order to prevent IC from power on reset fall, the rising time of the digital power supply VDD should be maintained within the given specifications. Refec to “AC Characteristics” for more detail on timing

Power-On/Off Timing Sequence:



Enter and Exit Standby Mode Sequence:



9. Optical Specification

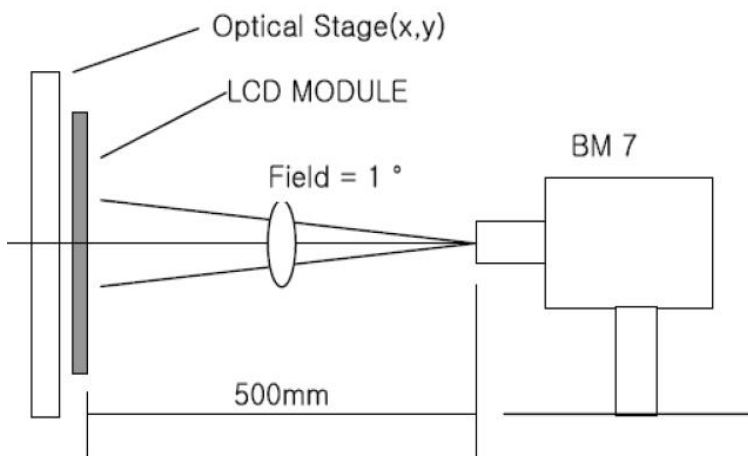
Ta=25°C

Item	Symbol	Condition	Min	Typ.	Max.	Unit	Remark
Contrast Ratio	CR	$\theta=0^\circ$	-	350	-		Note1 Note2
Response Time	Ton/ Toff	25°C	-	20	-	ms	Note1 Note3
View Angles	θT	$CR \geq 10$	60	75	-	Degree	Note 4
	θB		60	75	-		
	θL		60	75	-		
	θR		60	75	-		
Chromaticity	White	Brightness is on	x	0.248	0.298	0.348	Note5, Note1
			y	0.276	0.326	0.376	
	Red		x	0.560	0.610	0.660	
			y	0.300	0.350	0.400	
	Green		x	0.285	0.335	0.385	
			y	0.558	0.608	0.658	
	Blue		x	0.100	0.150	0.200	
			y	0.056	0.106	0.156	
NTSC	S		-	50	-	%	Note5
Luminance	Lv		220	280	-		

Note 1: Definition of optical measurement system.

Temperature = 25°C(±3°C)

LED back-light: ON, Environment brightness < 150 lx

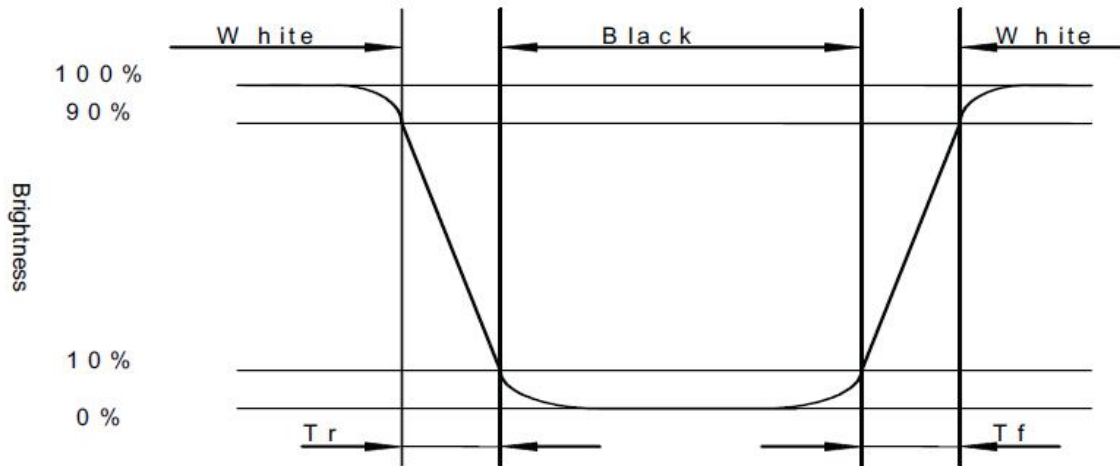


Note 2: Contrast ratio is defined as follow:

$$\text{Contrast Ratio} = \frac{\text{Surface Luminance with all white pixels}}{\text{Surface Luminance with all black pixels}}$$

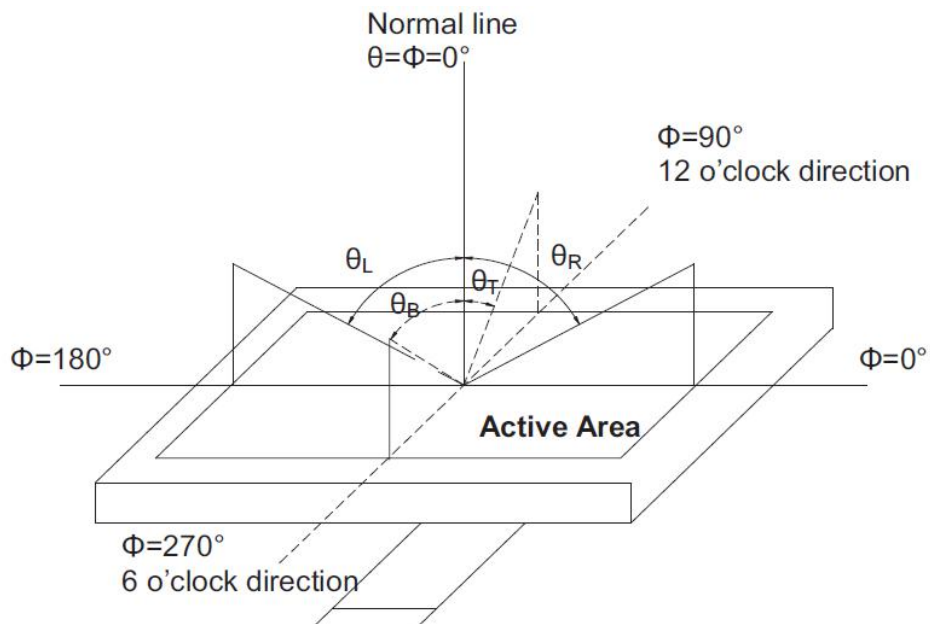
Note 3: Response time is defined as follow:

Response time is the time required for the display to transition from black to white (Rise Time, T_r) and from white to black(Decay Time, T_f).



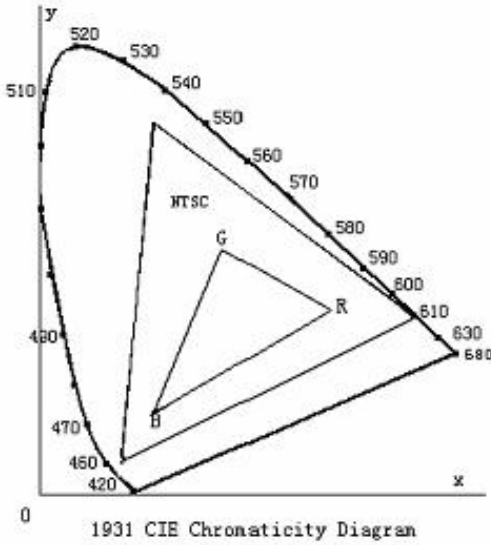
Note 4: Viewing angle range is defined as follow:

Viewing angle is measured at the center point of the LCD.



Note 5: Color chromaticity is defined as follow: (CIE1931)

Color coordinates measured at center point of LCD.



$$S = \frac{\text{area of RGB triangle}}{\text{area of NTSC triangle}} \times 100\%$$

Note 6: Luminance is defined as follow:

Luminance is defined as the brightness of all pixels “White” at the center of display area on optimum contrast.

Note 7: Luminance Uniformity is defined as follow:

Active area is divided into 9 measuring areas (Refer Fig. 2). Every measuring point is placed at the center of each measuring area.

$$\text{Uniformity (U)} = \frac{\text{Minimum Luminance(brightness) in 9 points}}{\text{Maximum Luminance(brightness) in 9 points}}$$

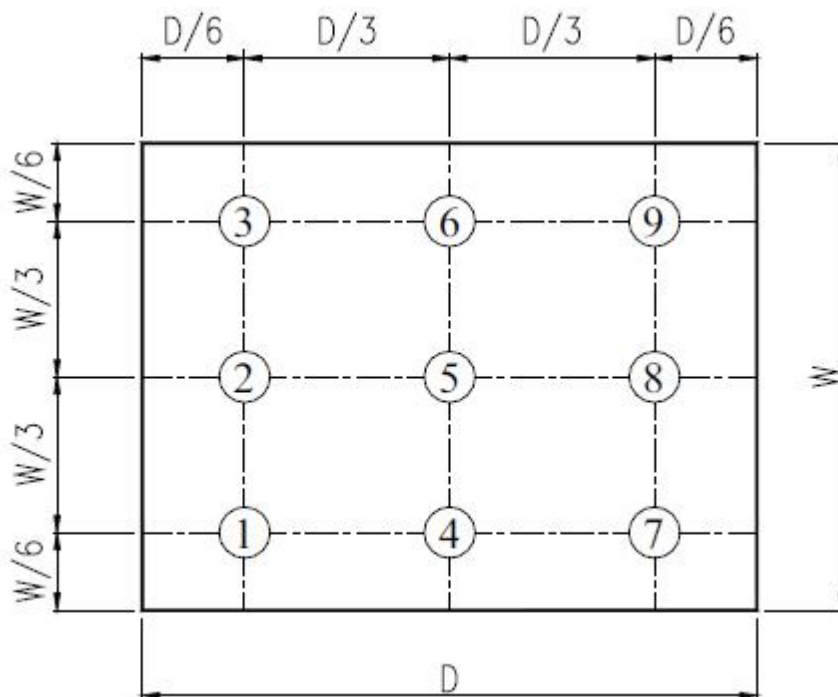


Fig. 2 Definition of uniformity

10. Environmental / Reliability Tests

No	Test Item	Condition	Judgment criteria
1	High Temp Operation	Ts=+70°C, 96hrs	Per table in below
2	Low Temp Operation	Ta=-20°C, 96hrs	Per table in below
3	High Temp Storage	Ta=+80°C, 96hrs	Per table in below
4	Low Temp Storage	Ta=-30°C, 96hrs	Per table in below
5	High Temperature & High Humidity Operation	Ta=+50°C, 90%RH, 96hours	Per table in below (polarizer discoloration is excluded)
6	Thermal Shock (Non-operation)	-20°C 30 min~+70°C 30 min, Change time:5min, 20 Cycles	Per table in below
7	ESD (Operation)	C=150pF, R=330Ω, 5points/panel Air:±8KV, 5times; Contact:±4KV, 5 times;	Per table in below
8	Vibration (Non-operation)	Frequency range:10Hz~50Hz Acceleration of gravity:5G X,Y,Z 30 min for each direction	Per table in below
9	Shock (Non-operation)	Height:80 cm, 1 corner, 3 edges, 6 surfaces.	Per table in below

INSPECTION	CRITERION(after test)
Appearance	No Crack on the FPC, on the LCD Panel
Alignment of LCD Panel	No Bubbles in the LCD Panel No other Defects of Alignment in Active area
Electrical current	Within device specifications
Function / Display	No Broken Circuit, No Short Circuit or No Black line No Other Defects of Display

11. Precautions for Use of LCD Modules

11.1 Safety

The liquid crystal in the LCD is poisonous. Do not put it in your mouth. If the liquid crystal touches your skin or clothes, wash it off immediately using soap and water.

11.2 Handling

- A. The LCD and touch panel is made of plate glass. Do not subject the panel to mechanical shock or to excessive force on its surface.
- B. Do not handle the product by holding the flexible pattern portion in order to assure the reliability
- C. Transparency is an important factor for the touch panel. Please wear clear finger sacks, gloves and mask to protect the touch panel from finger print or stain and also hold the portion outside the view area when handling the touch panel.
- D. Provide a space so that the panel does not come into contact with other components.
- E. To protect the product from external force, put a covering lens (acrylic board or similar board) and keep an appropriate gap between them.
- F. Transparent electrodes may be disconnected if the panel is used under environmental conditions where dew condensation occurs.
- G. Property of semiconductor devices may be affected when they are exposed to light, possibly resulting in IC malfunctions.
- H. To prevent such IC malfunctions, your design and mounting layout shall be done in the way that the IC is not exposed to light in actual use.

11.3 Static Electricity

- A. Ground soldering iron tips, tools and testers when they are in operation.
- B. Ground your body when handling the products.
- C. Power on the LCD module before applying the voltage to the input terminals.
- D. Do not apply voltage which exceeds the absolute maximum rating.
- E. Store the products in an anti-electrostatic bag or container.

11.4 Storage

- A. Store the products in a dark place at $+25^{\circ}\text{C} \pm 10^{\circ}\text{C}$ with low humidity (40% RH to 60% RH). Don't expose to sunlight or fluorescent light.
- B. Storage in a clean environment, free from dust, active gas, and solvent.

11.5 Cleaning

- A. Do not wipe the touch panel with dry cloth, as it may cause scratch.
- B. Wipe off the stain on the product by using soft cloth moistened with ethanol. Do not allow ethanol to get in between the upper film and the bottom glass. It may cause peeling issue or defective operation. Do not use any organic solvent or detergent other than ethanol.

11.6 Cautions for installing and assembling

Bezel edge must be positioned in the area between the Active area and View area. The bezel may press the touch screen and cause activation if the edge touches the active area. A gap of approximately 0.5mm is needed between the bezel and the top electrode. It may cause unexpected activation if the gap is too narrow. There is a tolerance of 0.2 to 0.3mm for the outside dimensions of the touch panel and tail. A gap must be made to absorb the tolerance in the case and connector.

