

MODEL NO: SELCM1625

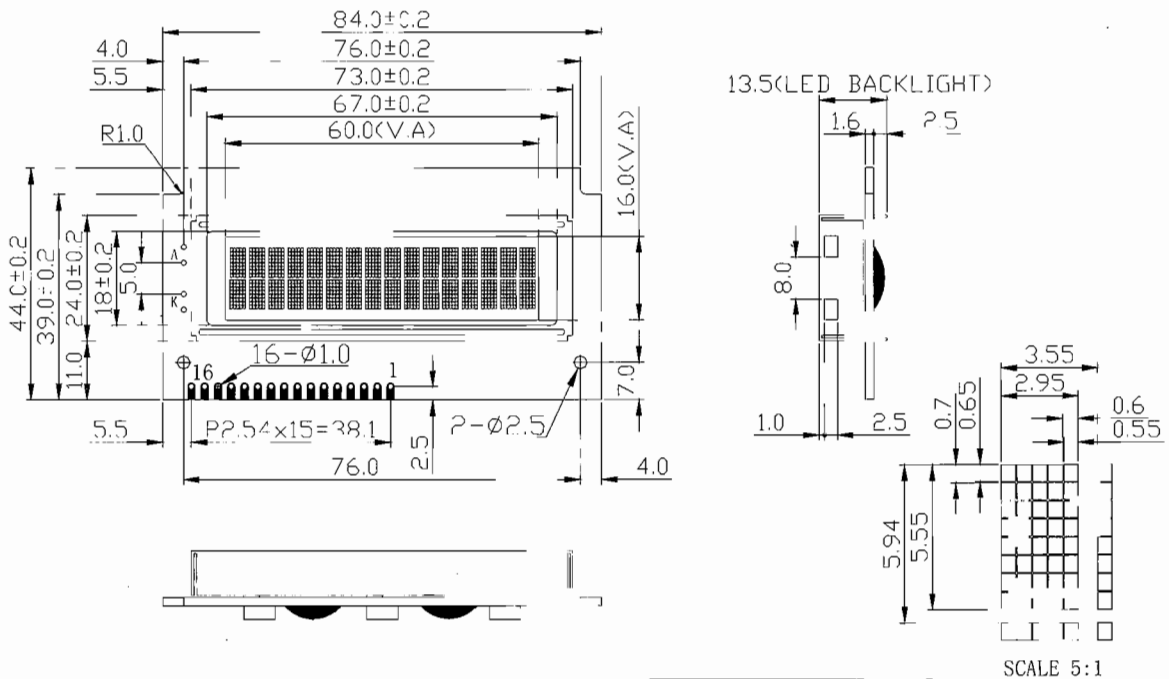
■ FEATURES

- Display Format: 16 Characters X 2 Line
- Input Data: 4-Bits or 8 Bits Interface Available
- Backlight: LED
- Power Supply: Single Power Supply <math>5.0V \pm 5\%>
- Driving Scheme: 1/16 Duty , 1/5 Bias
- Display Font: 5 X 8 Dots

■ MECHANICAL DETAIL

Module Size L X W X H (mm)	Viewing Area L X W (mm)	Character Size L X W (mm)	Dot Size L X W (mm)
84.0 X 44.0 X 13.5	60.0 X 16.0	2.95 X 5.55	0.55 X 0.65

■ ASSEMBLY DIAGRAM



PIN NO	1	2	3	4	5	6	7	8	9	10	11	12	13	14	15	16
CONNECTIONS	V _{SS}	V _{DD}	V ₀	RS	R/W	E	DB0	DB1	DB2	DB3	DB4	DB5	DB6	DB7	K	A