

MODEL NO: SELCM1640

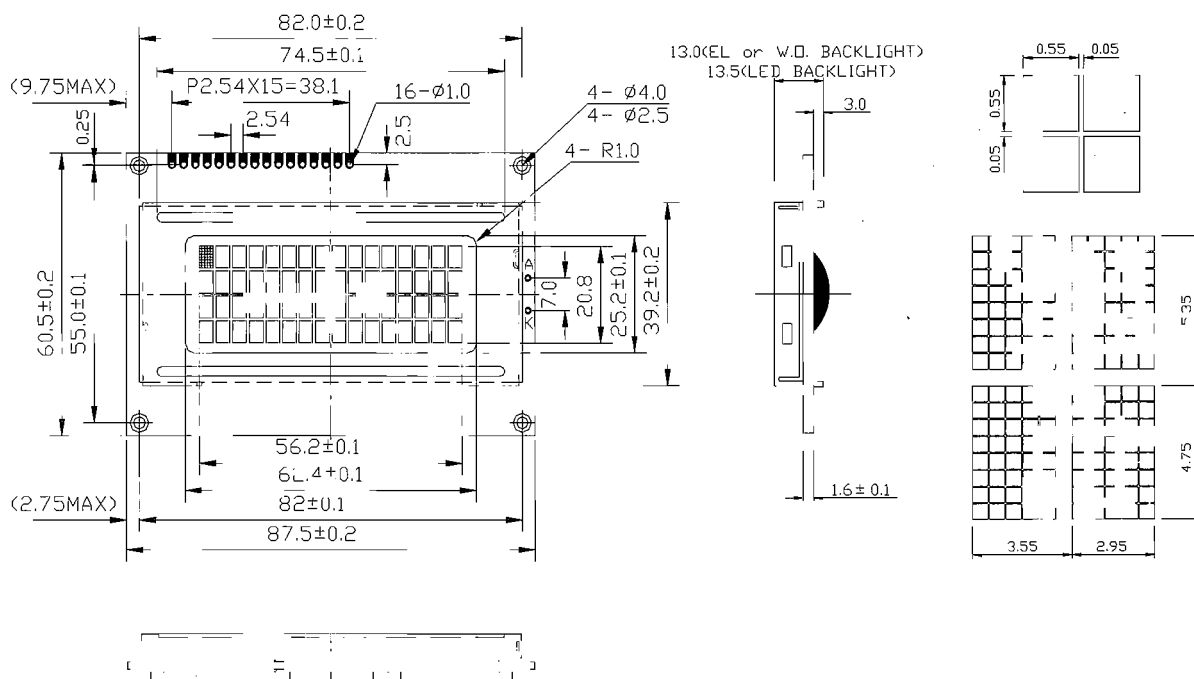
■ FEATURES

- Display Format: 16 Characters X 4 Line
- Input Data: 4-Bits or 8 Bits Interface Available
- Backlight: Without/LED/EL
- Power Supply: Single Power Supply $\lt; 5.0V \pm 5\% \gt$
- Driving Scheme: 1/16 Duty , 1/5 Bias
- Display Font: 5 X 8 Dots

■ MECHANICAL DETAIL

Module Size	Viewing Area	Character Size	Dot Size
L X W X H (mm)	L X W (mm)	L X W (mm)	L X W (mm)
87.5 X 60.5 X 10.0/13.5	62.4 X 25.2	2.95 X 4.75	0.55 X 0.55

■ ASSEMBLY DIAGRAM



PIN NO	1	2	3	4	5	6	7	8	9	10	11	12	13	14	15	16
CONNECTIONS	VSS	VDD	VO	RS	R/W	E	DB0	DB1	DB2	DB3	DB4	DB5	DB6	DB7	A	K